



Premium Grade Silencer Filters

Reduce Costs, Size & Labor

Compact "2G" Series 3"-6" MPT, 4"-6" 125/150# Pattern Flange

APPLICATIONS & EQUIPMENT

- ♦ Blowers - Side Channel & P.D.
- ♦ Industrial & Severe Duty
- ♦ Piston Compressors
- ♦ Screw Compressors
- ♦ Hydraulic Breathers – fine filtration
- ♦ Fans
- ♦ Pharmaceutical Industry
- ♦ Food Industry
- ♦ Petrochemical Industry
- ♦ Medical
- ♦ Pneumatic Conveying
- ♦ Waste Water Aeration
- ♦ Sparging
- ♦ Factory Air

FEATURES & SPECIFICATIONS

- ♦ Overall **Cost** of the Blower Package is **Dramatically** Lowered
- ♦ **Differentiate** your blower package from "traditional"
- ♦ The Number of costly components in a system are reduced, **Shrinking the Footprint.**
- ♦ Power consumption (amp draw) is **Reduced** allowing for increased performance and lower pressure drop is achieved with the removal unnecessary components.
- ♦ Material, handling, labor & freight costs are minimized.
- ♦ Fully drawn CS weatherhood-no welds to rust/vibrate apart
- ♦ Multiple silencing features, **Reduce** and **Deaden** sound
- ♦ Tubular Silencing - Tubes placed to maximize attenuation
- ♦ Quiet Band Weatherhood -Quiet band utilizes sound suppression in weatherhood make up
- ♦ Internal Silencer - Center tubular silencer with layered absorptive media
- ♦ 1/8" tap hole standard
- ♦ Temp (continuous): min -15°F (-26°C) max 220°F (104°C)
- ♦ Filter change out differential: 10"-15" H₂O over initial delta P

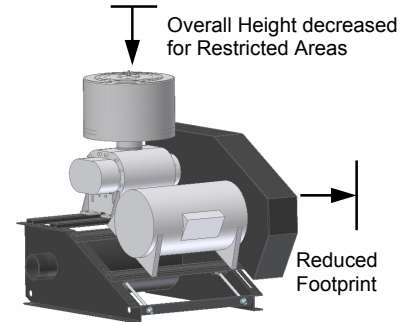
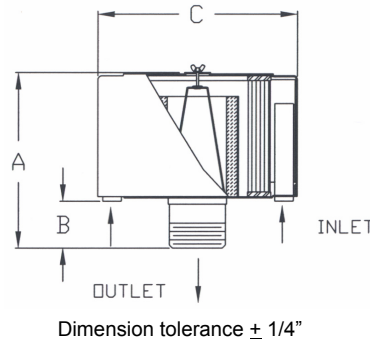
OPTIONS (Inquiries Encouraged)

- ♦ Pressure Drop Indicator
- ♦ Various media available
- ♦ Available in **Stainless Steel**
- ♦ Epoxy coated housings
- ♦ Special connections, BSPT

FILTER SILENCERS
FS, 2G, SLGR Series

CONFIGURATION

DRAWING



Blower Package Setup w/ 2G silencer filter and BBF blower base frame.

	with Polyester Element	with Paper Element	Outlet	Connection Style	DIMENSIONS - inches			Rated Flow SCFM			No. of Silencing Tubes	Approx. Wt. lbs
					A	B	C	Piston	Screw, Blower, Fan	Element Rating		
E	2G-275P-300	2G-274P-300	3"	MPT	13	3	16	200	300	1100	9	38
S	2G-275P-400	2G-274P-400	4"	MPT	14	4	16	450	520	1100	9	39
S	2G-275P-500	2G-274P-500	5"	MPT	14	4	16	650	800	1100	14	41
I	2G-275P-600	2G-274P-600	6"	MPT	15	5	16	650	1100	1100	18	42
S	2G-275P-400F	2G-274P-400F	4"	FLG	14	4	16	450	520	1100	9	44
S	2G-275P-500F	2G-274P-500F	5"	FLG	14	4	16	650	800	1100	14	46
I	2G-275P-600F	2G-274P-600F	6"	FLG	15	5	16	650	1100	1100	18	47

125/150# Pattern Flg	DIMENSIONS - inches			No. of Holes	Flange Thickness
	O.D.	B.C.	B.H.		
4"	9	7 1/2	0.75	8	0.38
5"	10	8 1/2	0.88	8	0.38
6"	11	9 1/2	0.88	8	0.38

